

DESCRIPTION

AMC MODEL SWNM-2181-2DR-STD-HIT-618-HPR4W-MH OPTIONS: 810, HPR4W, SPH, B02 IS A REFLECTIVE, SINGLE POLE TWO THROW SWITCH MODULE DESIGNED TO OPERATE BETWEEN THE 8.5 TO 10 GHz FREQUENCY RANGE WITH POWER HANDLING OF 4 WATTS CW.

SPECIFICATIONS

- FREQUENCY RANGE: 8.5 TO 10 GHz
- INSERTION LOSS: 2.5 dB MAXIMUM
- ISOLATION: 60 dB MINIMUM
- VSWR: 2.0:1
- SWITCHING SPEED: 70 nSec MAXIMUM
- POWER HANDLING: 4 WATTS MAXIMUM
- CONTROL: TTL LOGIC WITH SINGLE CONTROL
 LOGIC "0" = J1-J2 ON
 LOGIC "1" = J1-J3 ON
- POWER SUPPLY: +5V @ 75 mA MAXIMUM
 -15V @ 50 mA MAXIMUM
- CONNECTORS:
 RF: SMA FEMALE
 CONTROL: SOLDER PIN
- SIZE: 1.20" (L) x 1.00" (W) x 0.50" (H)
- WEIGHT: 1.5 OUNCE TYPICAL

OPTIONS:

- 810: 8.5 TO 10 GHz FREQUENCY RANGE
- HPR4W: POWER HANDLING OF 4 WATTS
- SPH: SPECIAL HOUSING SPECIFICATIONS
- B02: -15V SUPPLY

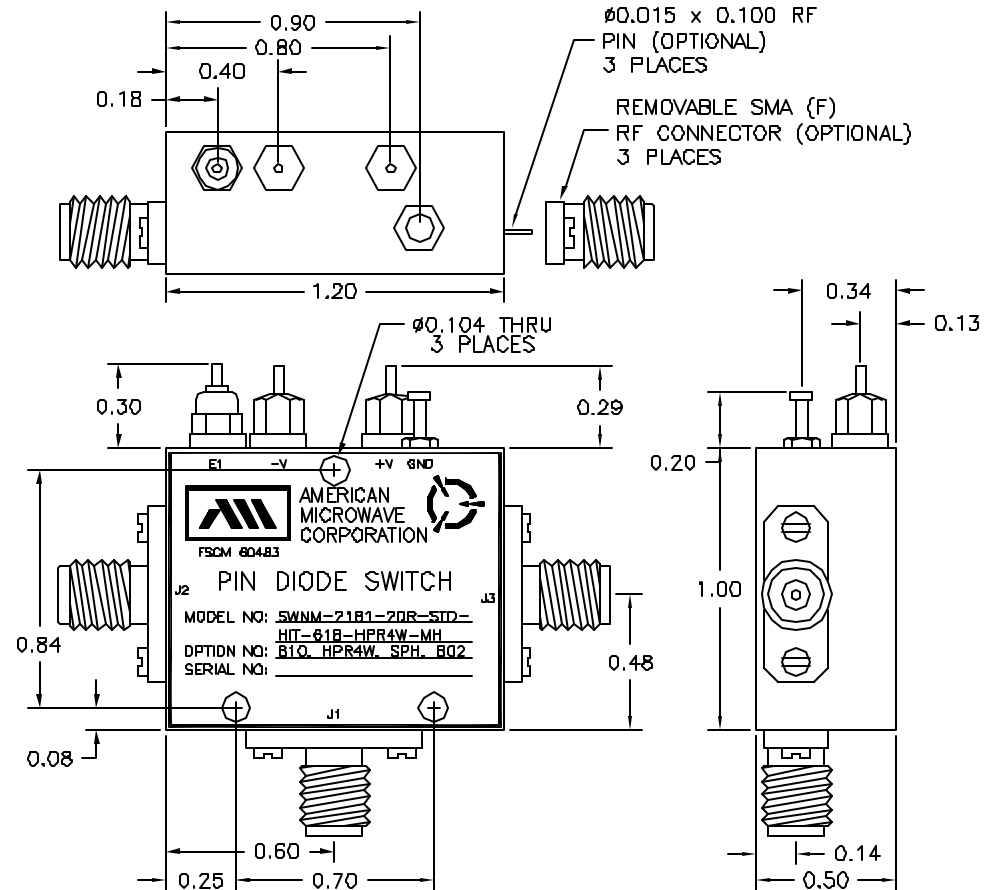
ENVIRONMENTAL RATINGS:

- TEMPERATURE: -54°C TO +100°C (OPERATING)
 -65°C TO +125°C (STORAGE)
- HUMIDITY: MIL-STD-202F, METHOD 103B COND. B
- SHOCK: MIL-STD-202F, METHOD 213B COND. B
- VIBRATION: MIL-STD-202F, METHOD 204D COND. B
- ALTITUDE: MIL-STD-202F, METHOD 105C COND. B
- TEMPERATURE CYCLE: MIL-STD-202F, METHOD 107D COND. A

NOTE: SPECIFICATIONS WILL VARY OVER OPERATING TEMPERATURE
 NOTE: THE ABOVE SPECIFICATIONS ARE SUBJECT TO CHANGE OR REVISION

ALL DIMENSIONS ARE IN INCHES
 TOLERANCES:
 .XXX ±0.020
 .XXXX ±0.010

REVISIONS				
ZONE	REV.	DESCRIPTION	DATE	APPROVED
	-	ORIGINAL RELEASE JOB# 603048	4/10/06	



AMERICAN MICROWAVE CORPORATION

7311-G GROVE ROAD
 FREDERICK, MARYLAND 21704 USA
 TEL: 301-662-4700 FAX: 301-662-4938
 WEBSITE: www.americanmicrowavecorp.com
 E-MAIL: sales@americanmicrowavecorp.com
 ISO 9001:2000 CERTIFIED



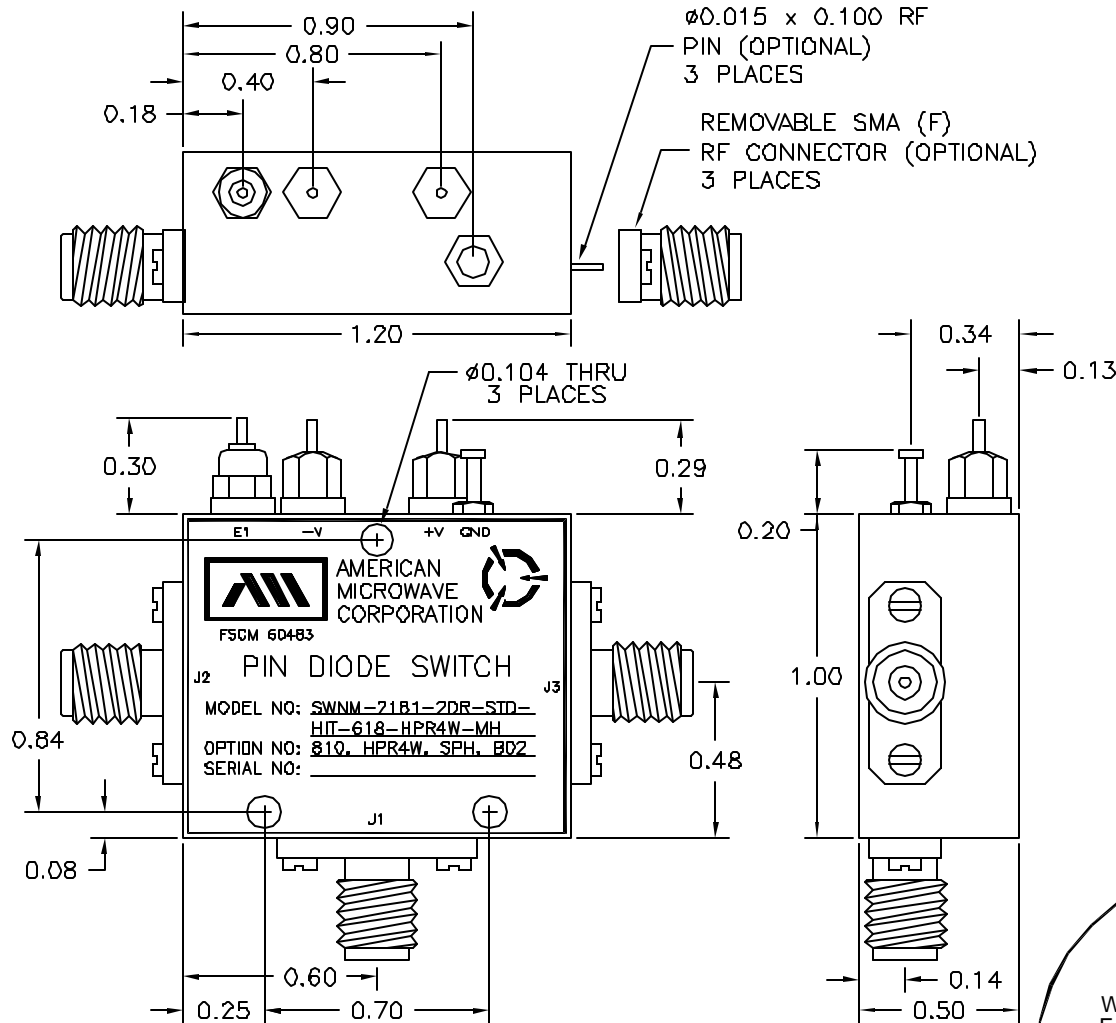
APPROVALS		DATE	TITLE		REV.
DRAWN		4/10/06	PRODUCT FEATURE		
CHECKED			SWNM-2181-2DR-STD-HIT-618-HPR4W-MH		
ISSUED			OPTION: 810, HPR4W, SPH, B02		
			SIZE	FSCM NO.	DWG NO.
			A	60483	100-7636
SCALE N:S			SHEET 1 OF 4		

DESCRIPTION

AMC MODEL SWNM-2181-2DR-STD-HIT-618-HPR4W-MH OPTIONS: 810, HPR4W, SPH, B02 IS A REFLECTIVE, SINGLE POLE TWO THROW SWITCH MODULE DESIGNED TO OPERATE BETWEEN THE 8.5 TO 10 GHz FREQUENCY RANGE WITH POWER HANDLING OF 4 WATTS CW.

REVISIONS				
ZONE	REV.	DESCRIPTION	DATE	APPROVED
	-	ORIGINAL RELEASE JOB# 603048	4/10/06	

MECHANICAL OUTLINE



ALL DIMENSIONS ARE IN INCHES
 TOLERANCES:
 X.XX ± 0.020
 X.XXX ± 0.010

AMERICAN MICROWAVE CORPORATION

7311-G GROVE ROAD
 FREDERICK, MARYLAND 21704 USA
 TEL: 301-662-4700 FAX: 301-662-4938
 WEBSITE: www.americanmicrowavecorp.com
 E-MAIL: sales@americanmicrowavecorp.com
 ISO 9001:2000 CERTIFIED



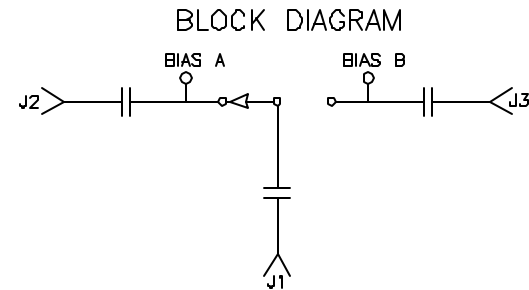
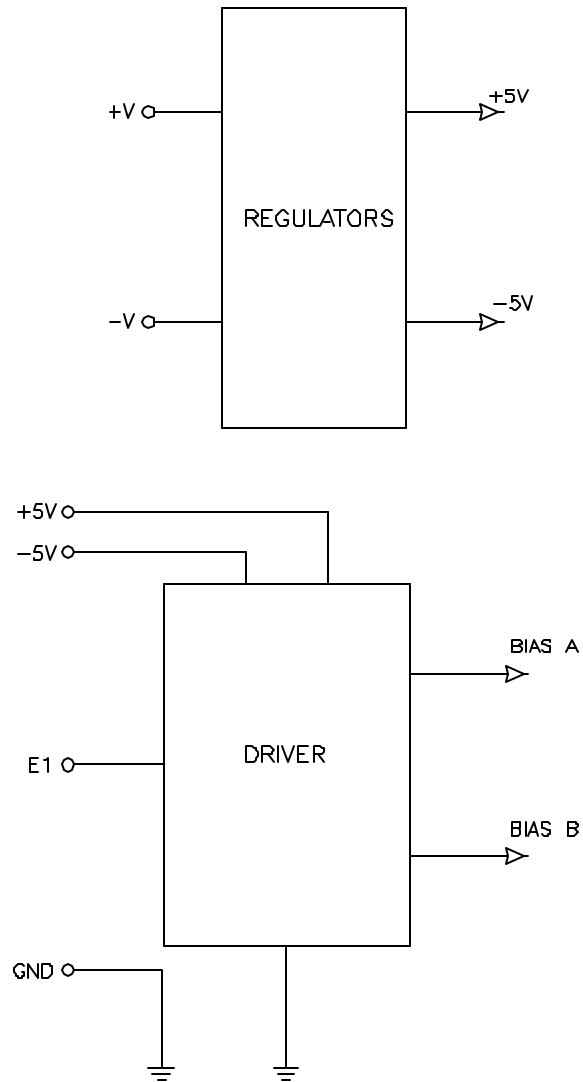
APPROVALS		DATE	TITLE	
DRAWN <i>FDJ</i>		4/10/06	MECHANICAL OUTLINE	
CHECKED			SWNM-2181-2DR-STD-HIT-618-HPR4W-MH	
ISSUED			OPTION: 810, HPR4W, SPH, B02	
SCALE	N:S		SIZE	F50M NO. 60483
			DWG NO.	100-7636
			REV.	-
SHEET			2 OF 4	

DESCRIPTION

AMC MODEL SWNM-2181-2DR-STD-HIT-618-HPR4W-MH OPTIONS: 810, HPR4W, SPH, B02 IS A REFLECTIVE, SINGLE POLE TWO THROW SWITCH MODULE DESIGNED TO OPERATE BETWEEN THE 8.5 TO 10 GHz FREQUENCY RANGE WITH POWER HANDLING OF 4 WATTS CW.

REVISIONS				
ZONE	REV.	DESCRIPTION	DATE	APPROVED
	-	ORIGINAL RELEASE JOB# 603048	4/10/06	

FUNCTIONAL BLOCK DIAGRAM



AMERICAN MICROWAVE CORPORATION

7311-G GROVE ROAD
 FREDERICK, MARYLAND 21704 USA
 TEL: 301-662-4700 FAX: 301-662-4938
 WEBSITE: www.americanmicrowavecorp.com
 E-MAIL: sales@americanmicrowavecorp.com
 ISO 9001:2000 CERTIFIED



APPROVALS		DATE	TITLE		
DRAWN <i>FDS</i>		4/10/06	FUNCTIONAL BLOCK DIAGRAM		
CHECKED			SWNM-2181-2DR-STD-HIT-618-HPR4W-MH		
ISSUED			OPTION: 810, HPR4W, SPH, B02		
SIZE	FSCH. NO.	DWG. NO.	REV.		
A	60483	100-7636	-		
SCALE N:S		SHEET		3 OF 4	